



## E9581 Electric Griddle Plate



### Short Form Specification

Unit to be Falcon F900 Series electric griddle top with 4 x 2.2kW elements below plate. Unit to be supplied upon adjustable feet or installed upon optional base unit.

The cooking surface will be made from 18mm thick highly polished mild steel. The cooking surface will be flush with lateral units and front hob to create a plating area. The unit will be thermostatically controlled from 100 - 300°C. There will be a grease collection area surrounding the cooking zone leading to a grease collection container.

The hob will be constructed from 2mm 304 grade stainless steel. Hobs will be laser cut with right-angled edges to allow joining of units with no gaps between hobs.

Exterior panels are Scotch Brite finish stainless steel. Control knobs to be marked indicating temperature setting and to have a bezel behind each knob to prevent water ingress.

### Key Features

- 18mm thick, machined mild steel griddle plate
- Two individually-controlled cooking zones
- Thermostatically controlled from 100 - 300°C
- 360° grease trough around griddle plate
- Large capacity grease collection container
- IPX5 rated
- Supplied upon adjustable stainless steel feet
- 2mm thick 304 grade stainless steel hob
- Laser cut hob allows edge to edge joining of units
- Stainless steel external panels with Scotch Brite finish
- Dynamic Link System Compatible



*Integrated linking system allows gap free installation to create a seamless, continuous cookline.*

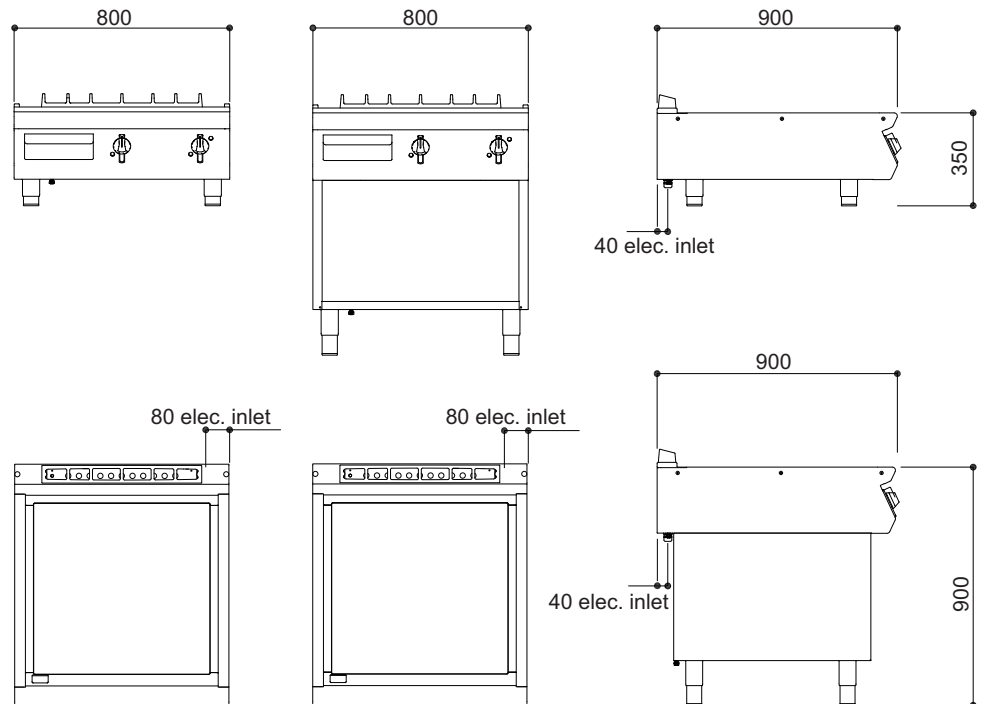
*UK Patent No. 2540131*

### Optional Accessories

- Front hob rail
- Fixed or mobile stands
- Hob extension

## E9581 Electric Griddle Plate

### Model Dimensions (mm)



### Specification Details

Electrical rating (kW)	8.8
Electrical supply voltage	400V 3N~ 50/60Hz
Required electrical supply (A)	32
Electrical current split (A)	L1: 9.56, L2: 19.12, L3: 9.56
Element rating (kW)	4 x 2.2 (2 x 2.2 per control)
Weight (kg)	97
Weight on stand (kg)	119
Packed weight (kg)	113.5
Packed dimensions (mm)	1000 (w) x 1000 (d) x 780 (h)

#### **Installation Note:**

Please consult local legislation with regard to installation of cooking equipment.